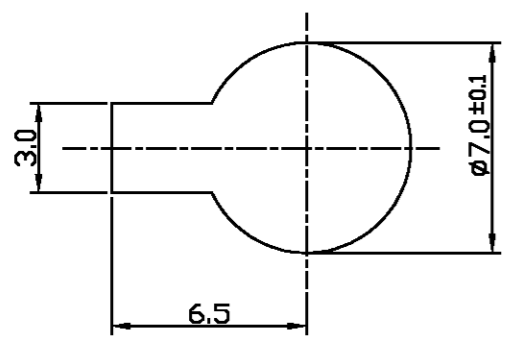
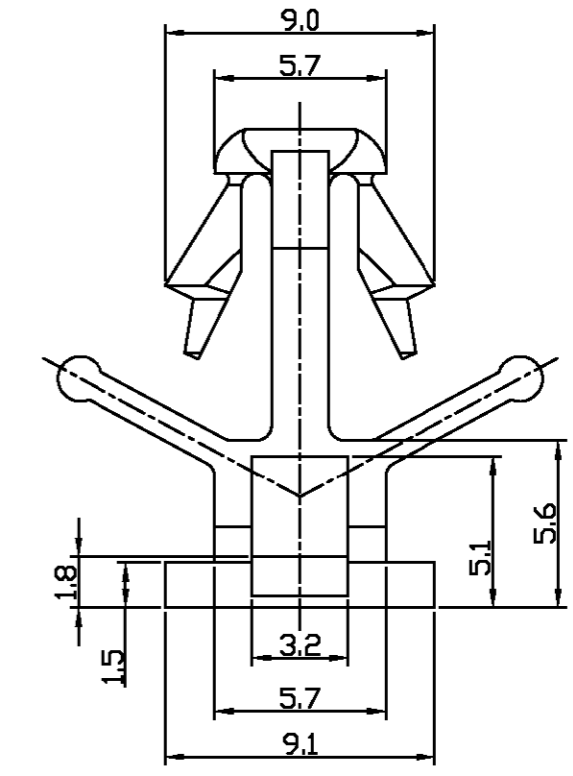
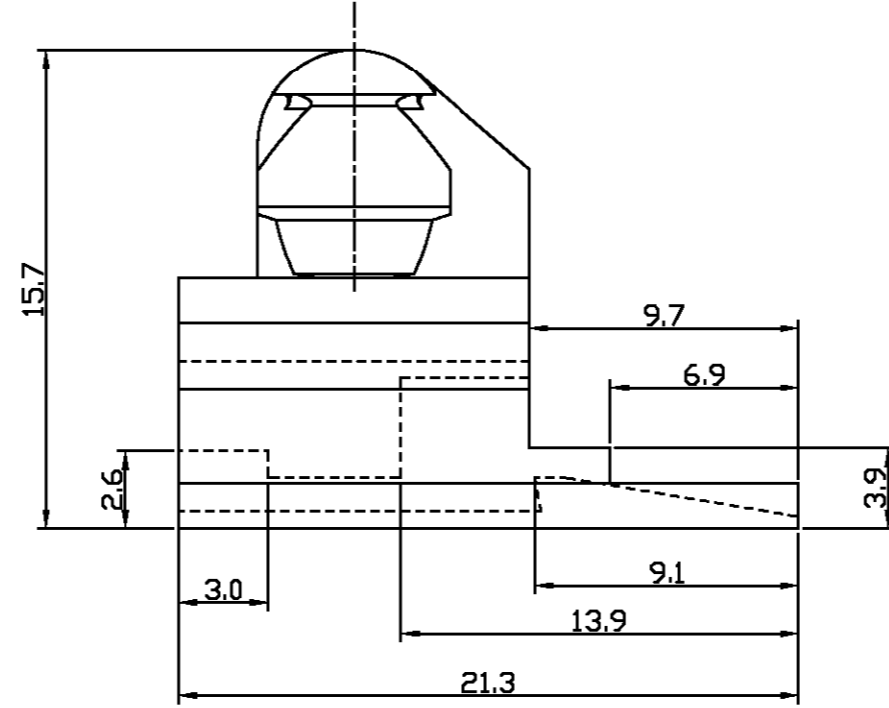
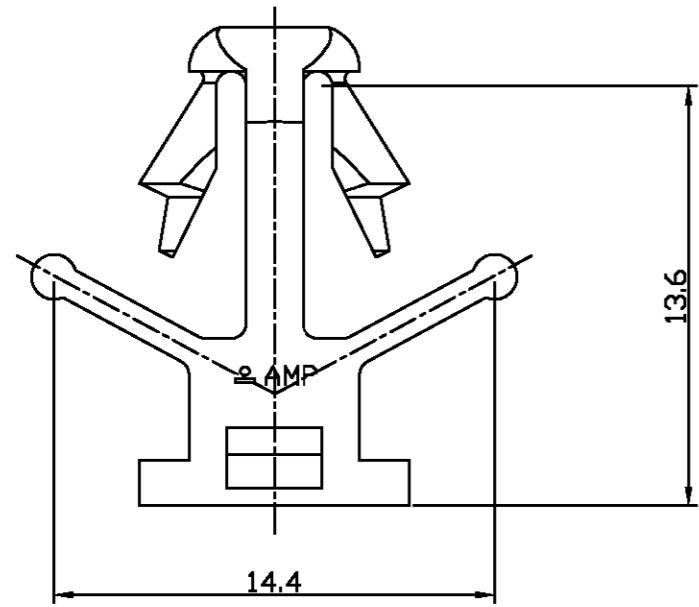


LOC		DIST		REVISIONS			
P	LTR	DESCRIPTION		DATE	DWN	APVD	
	C	REDRAWN WITH CHANGE(FC00-0041-04)		16.MAR'04	JG	CS	



▲ PANEL HOLE SIZE THICKNESS=2.5MM

NOTE  
 1. APPLICABLE HSG P/N : 176143  
 ▲ MOUNTING PANEL HOLE

PART NO.	DESCRIPTION	MATERIAL	COLOR
0-85003-2	187 CLIP HSG	PA66	BLACK
0-85003-1	187 CLIP HSG	PA66	NATURAL

<small>THIS DRAWING IS A CONTROLLED DOCUMENT FOR TYCO ELECTRONICS CORPORATION. IT IS SUBJECT TO CHANGE AND THE CONTROLLING ENGINEERING ORGANIZATION SHOULD BE CONTACTED FOR THE LATEST REVISION.</small>		DWN : JG MOON				AMP KOREA, kyungsan, korea	
DIMENSIONS: mm		TOLERANCES UNLESS OTHERWISE SPECIFIED:				NAME	
 3rd ANGLE PROJECTION		0 <XX<10 ± 0.2 10<XX<30 ± 0.25 30<XX ± 0.3 ANGLES ± 3°		APVD: CS LEE		CLIP HOUSING FOR 187 SEALED CONN'	
MATERIAL		FINISH		PRODUCT SPEC		RESTRICTED TO	
				APPLICATION SPEC		SIZE CAGE CODE DRAWING NO	
				WEIGHT 1.04g		A3 00779 C= 85003	
						SCALE 4/1 SHEET 1 OF 1 REV C	